



**UNIVERSAL
ENGINEERING**
Company (Charlestown) Ltd

TECHNICAL SERVICES

Universal Engineering's Technical Services Department can provide the expertise to meet all of your Design and Integrated Logistic Support (ILS) requirements.

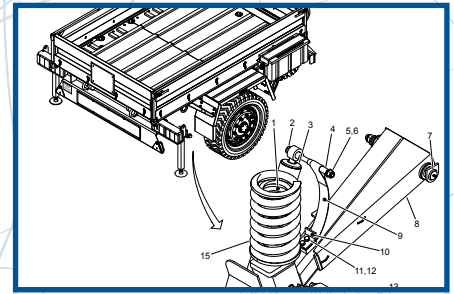
Our skilled team of professionals have a vast array of experience in Aerospace, Marine, Military and Civil Engineering. Whatever the scope of your project we can work with you to produce a quality product that meets your needs in the following fields:

- Design
- Logistic Support Analysis Records (LSAR)
- Initial Provisioning (IP)
- Technical Documentation
- Technical / Graphic Illustration
- Training

Design is carried out by our skilled team of designers and draughtsman using the latest 3D solid modelling techniques, and 2D CAD software. We also work with our customers during their development stage and beyond to provide Post Design Services and Integrated Logistic Support.

LSAR has become a major requirement on a variety of modern technical products and we have experience in working within the specifications of Def Stan 00-60, and Mil Std 1388 both in the production of LSAR tables and interpretation of data for other uses.

Provisioning can be performed to meet your requirements. We can produce IP and Initial Provisioning Lists as well as Illustrated Parts Data. Catalogues meet the standards of Def Stan 00-60, AST (AECMA) S2000M or the customers bespoke requirements.



ENGINEERING INNOVATION

UNIVERSAL ENGINEERING LTD

18 Cumberland Drive | Granby Industrial Estate Weymouth
Dorset | DT4 9TD | United Kingdom

Tel: 01305-783525

www.universal-eng.com





**UNIVERSAL
ENGINEERING**
Company (Charlestown) Ltd

TECHNICAL SERVICES

Technical Documentation can be produced in accordance with AST (AECMA) S1000D, ISPEC 2200, Def Stan 00-60 Legacy, Def Stan 02-40, AESP 0100-P-005-010, AVP 70 and to bespoke needs, using traditional methods and SGML / XML.

Using Frame Maker, Arbortext, MS Word and other software, we can produce, amend and capture documents in plain and Simplified English.

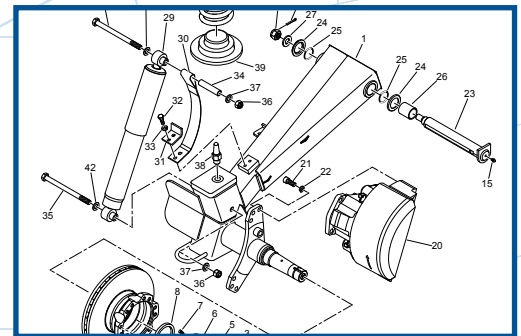
The finished documentation can be supplied in camera ready or electronic formats.

Customers legacy documents can also be converted to the above standards.

Other services include:

- Printing & Distribution
- Electronic Conversion
- Scanning
- Research, format and writing of publications including: Technical Manuals, Handbooks, Specifications etc., to customer requirements.
- Provision of illustrations to support text content of publications. Preparation using 3D CAD, Illustrating software.
- High quality master material on 100gm or better paper in accordance with customer requirements.
- Existing publications converted from hard copy to recognised word processing formats for easy incorporation of future amendments.

Output to customer preferred media e.g. DVD, CD ROM or transferred using E-mail / FTP facility.



ENGINEERING INNOVATION

UNIVERSAL ENGINEERING LTD

18 Cumberland Drive | Granby Industrial Estate Weymouth
Dorset | DT4 9TD | United Kingdom

Tel: 01305-783525

www.universal-eng.com

